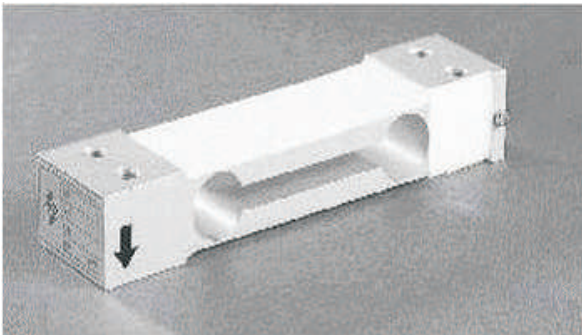


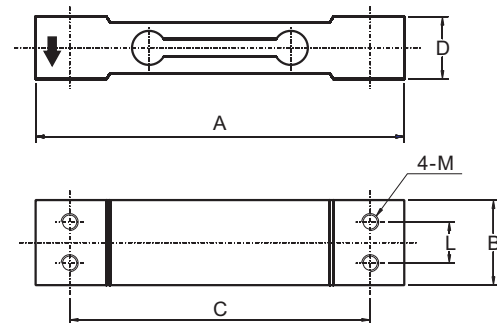
SUP Series Load Cell

1. Pictures & Dimensions

SUP1



Capacity(Kg): 20, 30, 50, 100, 150, 200, 250

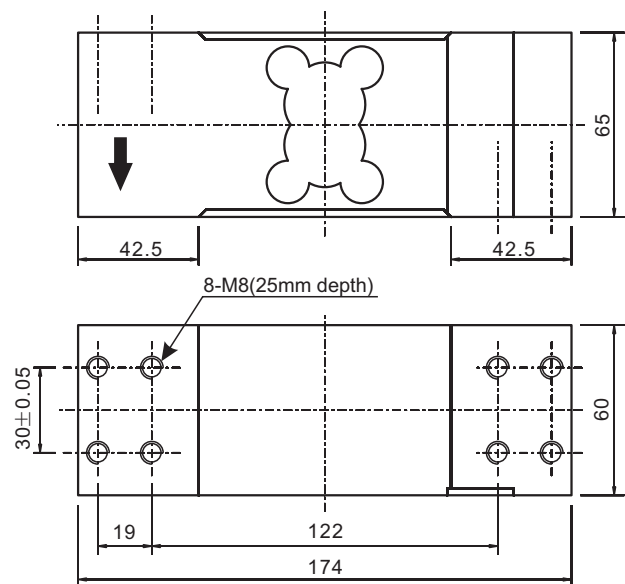


Capacity	A	B	C	D	L	M
10~50kg	130	30	106	22	15	M6
100~250kg	130	50	106	22	25	M8

SUP6



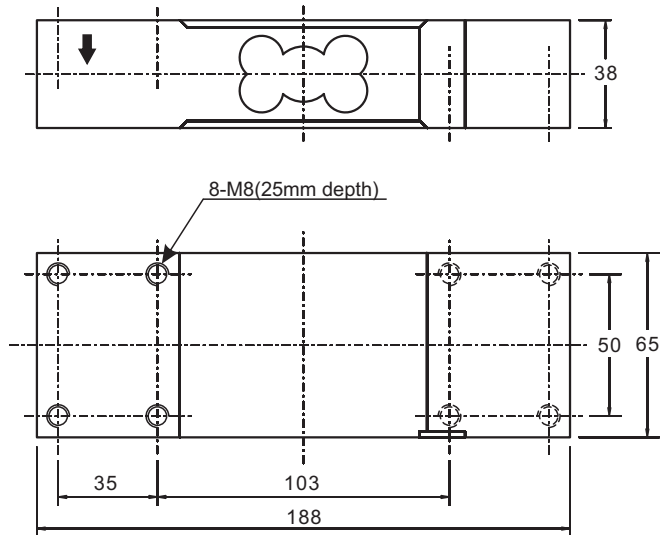
Capacity(Kg): 50, 100, 150, 200, 300, 500, 600



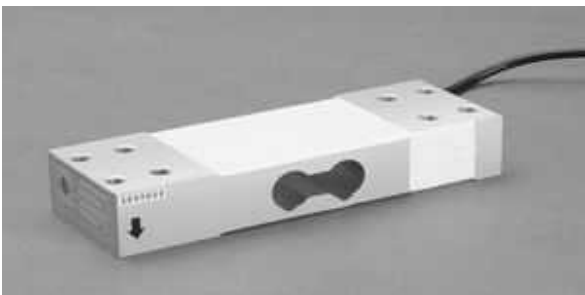
SUP62



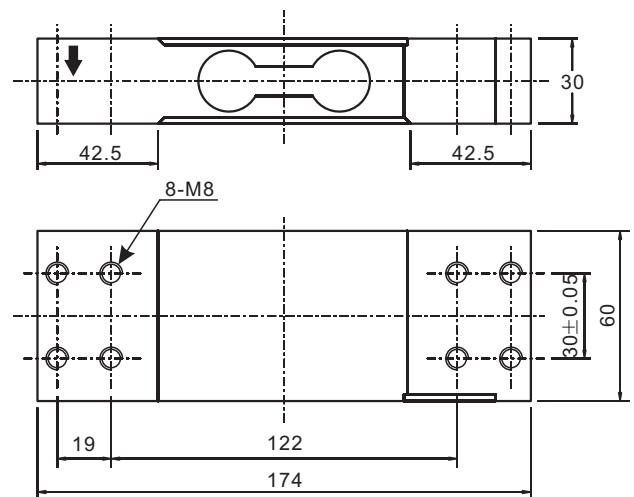
Capacity(Kg): 50, 100, 200, 300, 350



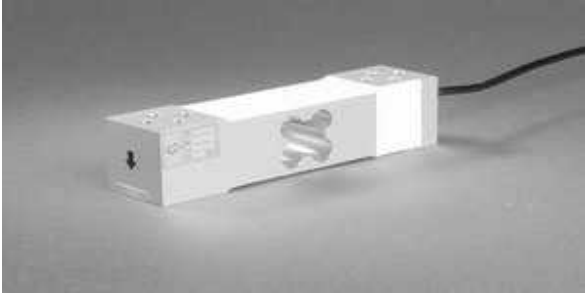
SUP63



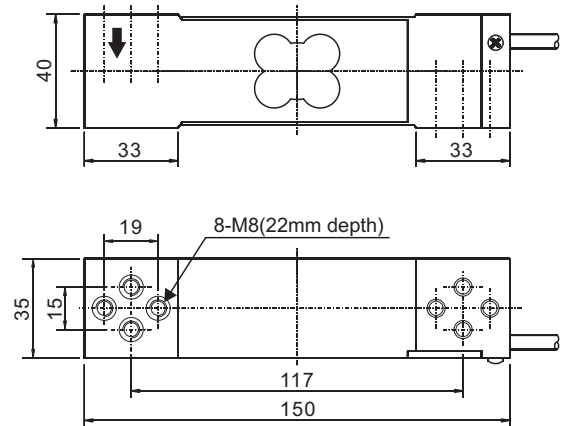
Capacity(Kg): 50, 60, 100, 150, 200, 300



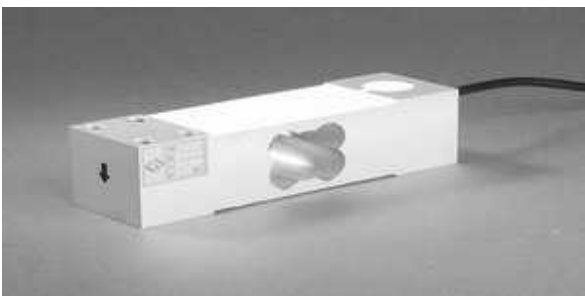
SUP91



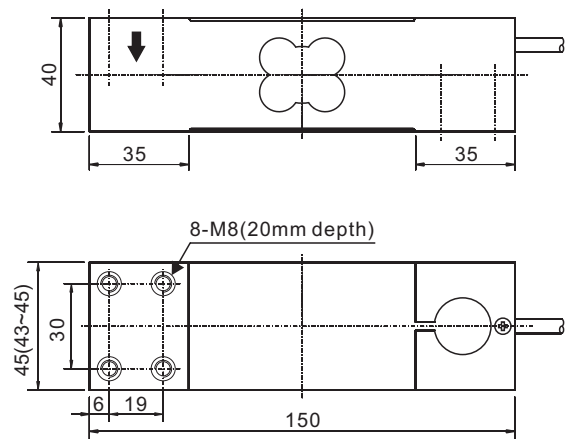
Capacity(Kg): 50, 60, 100, 150, 200, 250, 300, 350



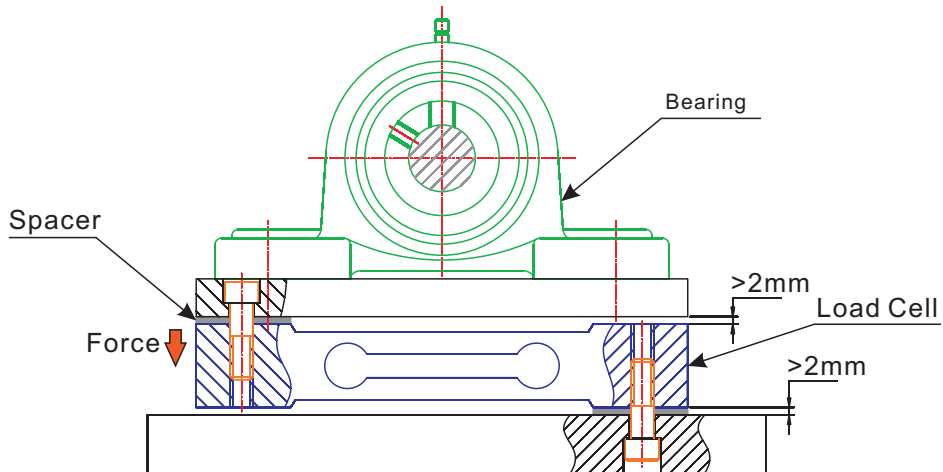
SUP94



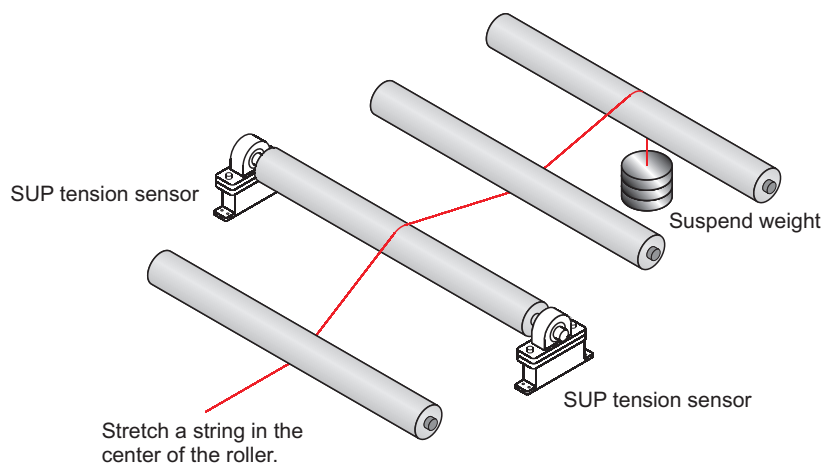
Capacity(Kg): 50, 60, 100, 150, 200, 250, 300



2. Mounting



3. Calibration



4. Technical Data

Specification	Unit	Technical Index					
		SUP1	SUP6	SUP62	SUP63	SUP91	SUP94
Capacity	kg	20, 30, 50, 100, 150, 200, 250	50, 100, 150, 200, 300, 500, 600	50, 100, 200, 300, 350	50, 60, 100, 150, 200, 300	50, 60, 100, 150, 200, 250, 300, 350	50, 60, 100, 150, 200, 250, 300
Rated Output	MV/V	2.0±10%					
Zero Balance	%F.S.	±2					
Non-Linearity	%F.S.	0.02					
Hysteresis	%F.S.	0.02					
Repeatability	%F.S.	0.02					
Creep(30 min)	%F.S.	0.03					
Temperature Effect on Output	%F.S./10℃	0.025					
Temperature Effect	%F.S./10℃	0.025					
Input Impedance	Ω	410±30					
Output Impedance	Ω	350±3					
Insulation	MΩ	>2000/50VDC					
Recommended	V	10					
Max Excitation	V	15					
Compensated Temperature Range	℃	-10~40					
Operating Temperature Range	℃	-20~60					
Safe Overload	%F.S.	150					
Ultimate Overload	%F.S.	300				200	300
Cable Size	mm	Φ4x450	Φ5x2000	Φ5x2000	Φ5x2000	Φ5x2000	Φ5x3000
Platform Size	mm	250x300	450x550	400x450	450x550	450x550	350x450
Protection Class	IP65						
Wiring	Red: + Excitation		Black: - Excitation		Green: + Signal		White: - Signal